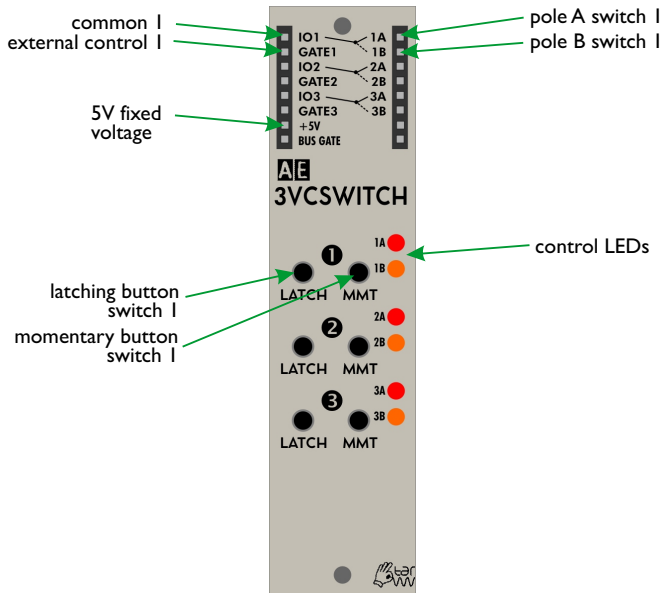


3VCSWITCH contains three identical electronic toggle switches; these switches can control any kind of signal, either CV or audio. The switching itself can be executed in different ways: Via a latching button, a momentary button or an external gate CV signal.



Each switch in this module has three terminals: IOx in the left connectors row, xA, xB in the right connectors row (x represents the number 1...3).

Let's use switch one as example for the further description:

- Initially, IO1 is connected with 1A. This connection has no specific direction, you can think of it like a patchwire. LED 1A (red) is on.
- Pressing the LATCH button changes to 1B, meaning IO1 is now connected with 1B. Pressing the latch button again returns to the previous state.
- Pressing the BT button changes to 1B as long as the button is kept pressed.
- Sending a voltage signal (above 2 volts) to GATE1 input, the connection is also changed to 1B. E.g. if an LFO is connected here, the switch is toggled automatically by the speed of the LFO.

Please note: If 1B / 2B / 3B is already active (e.g. by the LATCH button) another change signal (GATE signal, button) is ignored.